

Project Name: _____
 Location: _____
 Engineer: _____
 Submitted to: _____
 Submitted by: _____
 Reference: _____

Approval: _____
 Date: _____
 Construction: _____
 Unit #: _____
 Drawing #: _____

Performance

Indoor Unit Model No: FCQ30PVJU
 Outdoor Unit Model No: RZR30PVJU
 Rated Cooling Capacity (Btu/hr): 30000
 Sensible Capacity (Btu/hr): 23100
 Max/Min Cooling Capacity (Btu/hr / kW): databook/databook
 Cooling Input Power (kW): 3.303
 SEER: 13
 Rated Heating Capacity (Btu/hr): N/A
 Max/Min Heating Capacity (Btu/hr / kW): databook/databook
 Heating Input Power (kW): N/A
 Heating COP (Btu/hr / Btu/hr): N/A
 HSPF: N/A

Indoor Unit Type: 3' x 3' 4 Way Cassette
 Condensing Unit Type: SkyAir Cool Only
 Rated Cooling Conditions: Indoor: 80°F DB/67°F WB
 Outdoor: 95°F DB/75°F WB
 Rated Heating Conditions: Indoor: N/A
 Outdoor: N/A
 Rated Piping Length(ft): 25
 Rated Height Separation(ft): 0

Indoor Unit Details

Power Supply (V/Hz/Ph): 208-230/60/1ph
 Power Supply Connections: L1, L2, Ground
 Min Circuit Amps MCA (A): 1.3
 Max Overcurrent Amps MFA (A): 15
 Dimensions (HxWxD): 11-3/8x33-1/8x33-1/8
 Panel (HxWxD): 1-5/8x37-3/8x37-3/8
 Net Weight (lbs): 73
 Weight with Panel (lbs): 84

Airflow Rate (CFM wet coil): 900//790
 Moisture Removal (pt/h): _____
 Gas Pipe Connection (inch): 5/8
 Liquid Pipe Connection (inch): 3/8
 Condensate Connection (inch): 1
 Sound Pressure Level (dBA): 42
 Sound Power Level (dBA): _____
 Static Pressure Rated/Max (inWg): 0 / 0/0

Condensing Unit Details

Power Supply (V/Hz/Ph): 208-230/60/1ph
 Power Supply Connections: L1, L2, Ground
 Min. Circuit Amps MCA (A): 16.5
 Max. Overcurrent Amps MFA (A): 20
 Max. Starting Current MSC(A): _____
 Rated Load Amps RLA (A): 16
 Dimensions (HxWxD): 30-5/16x35-7/16x12-5/8
 Net Weight (lbs): 150

Compressor Type: Inverter
 Capacity Control Range (%): 25 - 100
 Airflow Rate (CFM): 1835
 Gas Pipe Connection (inch): 5/8
 Liquid Pipe Connection (inch): 3/8
 Sound Pressure Level (dBA): 49
 Sound Power Level (dBA): _____

System Details

Refrigerant Type: R-410A
 Holding Refrigerant Charge (lbs): 5.1
 Additional Charge (oz/ft): 0.036lbs/ft
 Pre-charge Piping (Length ft): -
 Max. Pipe Length (Total ft): 164 ft

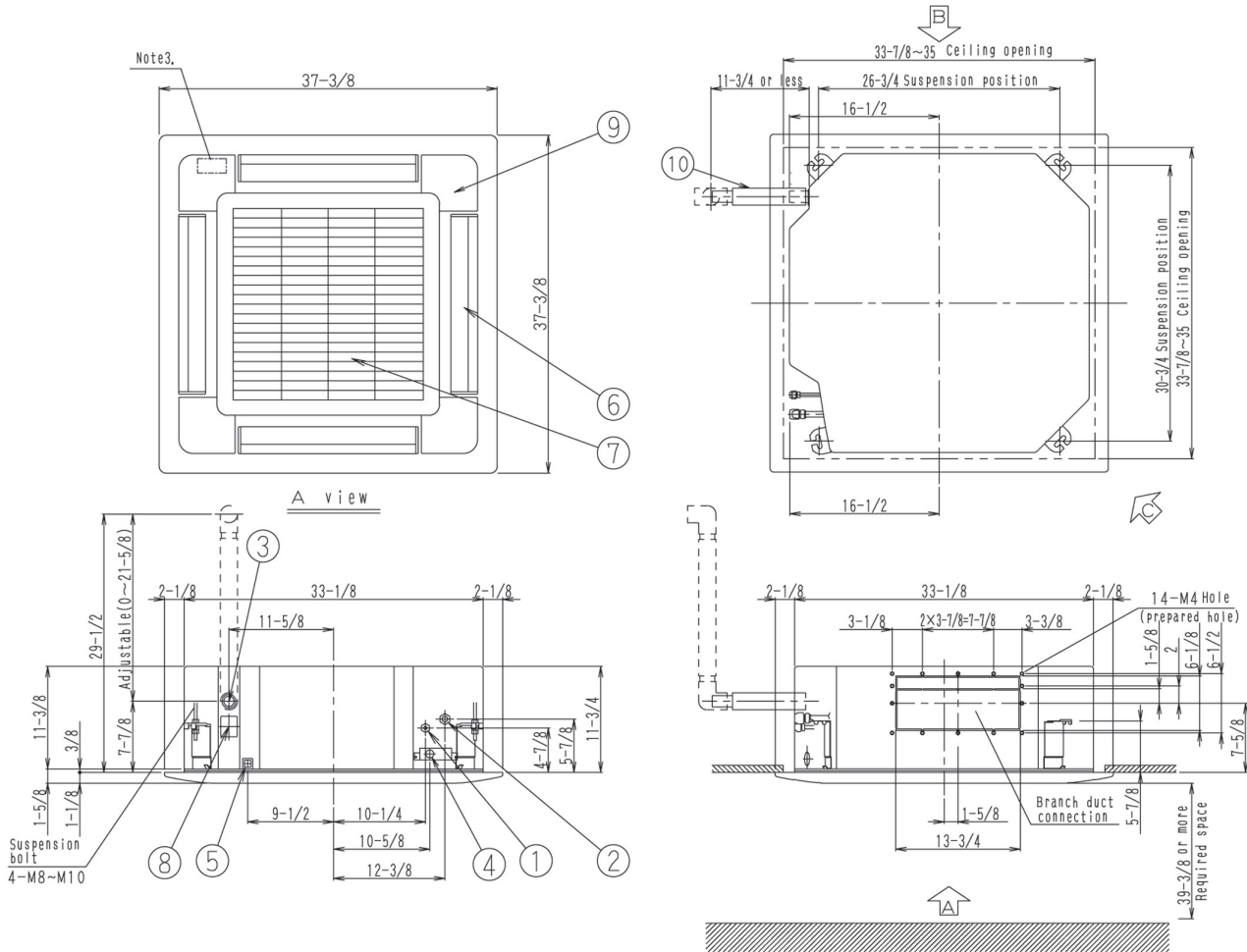
Max. Pipe Length (Vertical ft): 98 ft
 Cooling Operation Range (°F): 23 - 115
 Cooling Range w/Baffle (°F): 0 - 115
 Heating Operation Range (°F): N/A
 Heating Range w/Baffle (°F): N/A

Project Name: _____
 Location: _____
 Engineer: _____
 Submitted to: _____
 Submitted by: _____
 Reference: _____

Approval: _____
 Date: _____
 Construction: _____
 Unit #: _____
 Drawing #: _____

Dimensional Drawing - Indoor Unit

FCQ30PVJU



Notes:

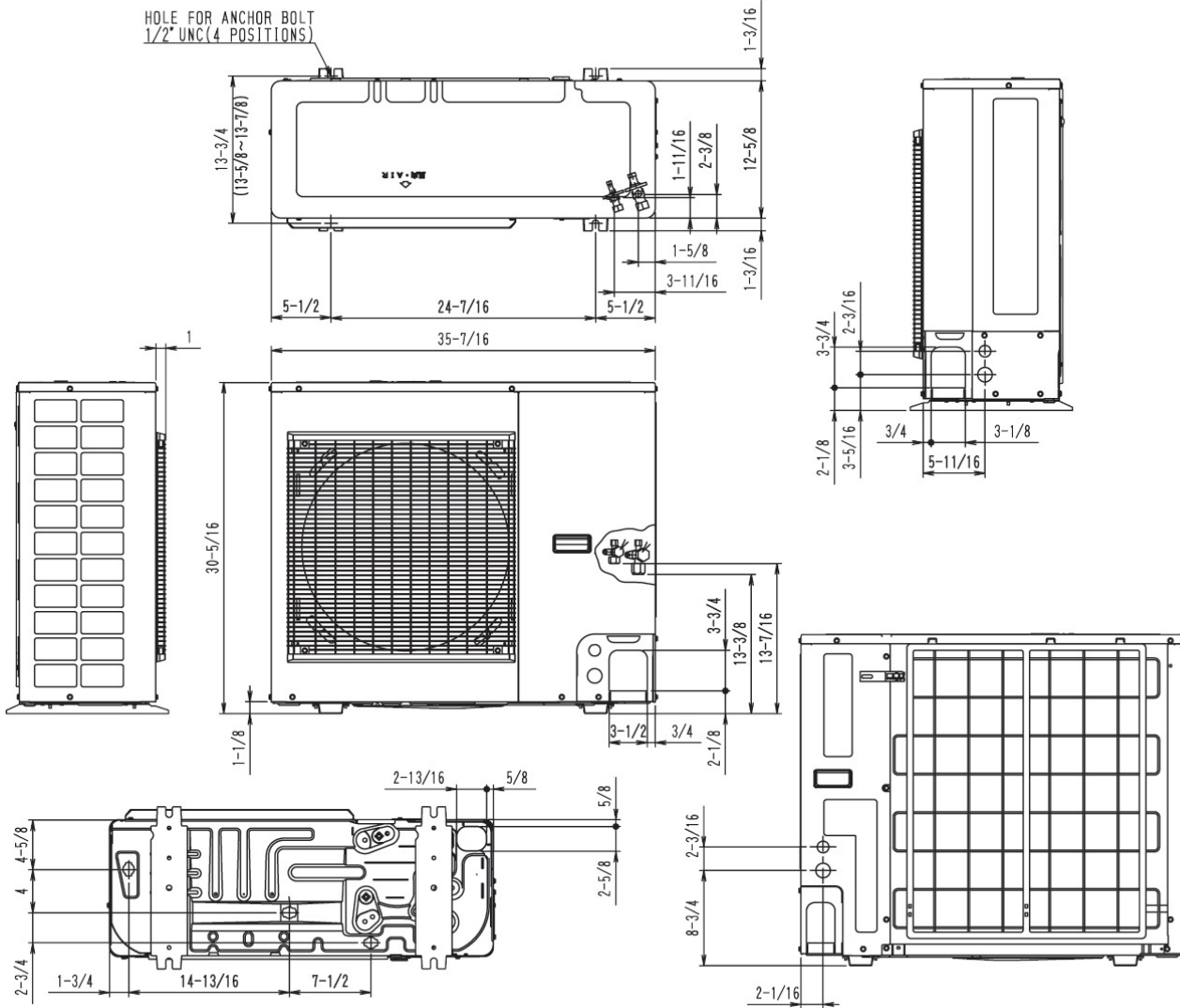
1. Location of unit's Name Plate
 For Main body: Switch Box Cover inside surface of suction grille,
 For decoration panel: Panel frame inside surface of suction grille.
2. When installing an optional accessory, refer to the installation drawings.
 - For fresh air intake kit.....Inspection port is necessary.
 - For high efficiency filter unit.....Inspection port is not necessary.
3. In case of using wireless remote controller, this position will be a signal receiver. Refer to the drawing of wireless remote controller in detail.

Project Name: _____
 Location: _____
 Engineer: _____
 Submitted to: _____
 Submitted by: _____
 Reference: _____

Approval: _____
 Date: _____
 Construction: _____
 Unit #: _____
 Drawing #: _____

Dimensional Drawing - Condensing Unit

RZR30PVJU



Project Name: _____
 Location: _____
 Engineer: _____
 Submitted to: _____
 Submitted by: _____
 Reference: _____

Approval: _____
 Date: _____
 Construction: _____
 Unit #: _____
 Drawing #: _____

FCQ30PVJU



RZR30PVJU



FCQ30PVJU

Std U.S. Warranty: 7yrs Compressor, 5yrs Parts

RZR30PVJU

Std U.S. Warranty: 7yrs Compressor, 5yrs Parts